

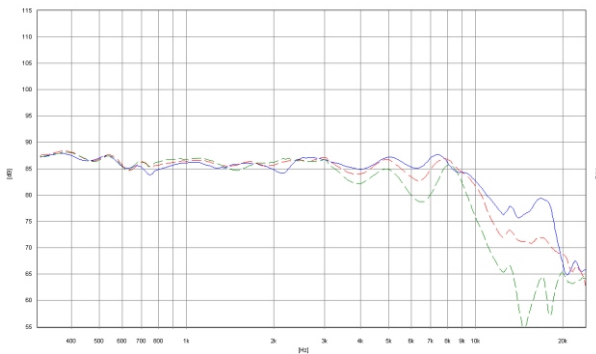
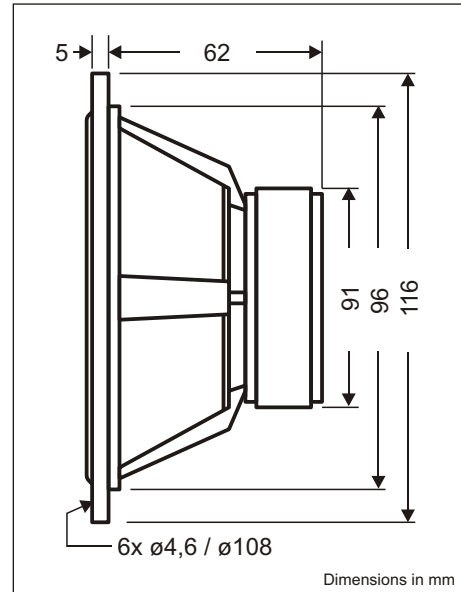
Symphony

Ein 100er Mitteltöner mit Kapton-Spulen­träger, wurde für höchste Ansprüche entwickelt.

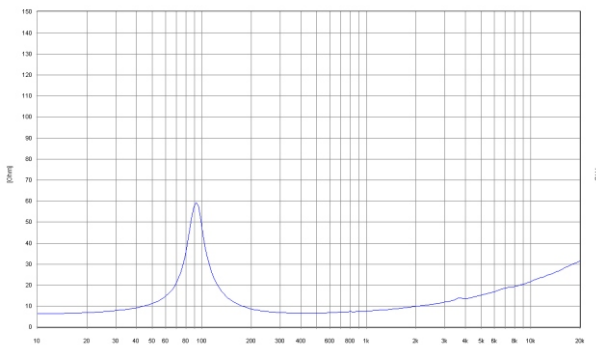
Eine dreischichtige Hexacone-Sandwich-Membrane bekannt für ihre hervorragenden akustischen Eigenschaften ist die beste Voraussetzung für eine authentische Musikwiedergabe.

An advanced high end 4" midrange woofer with capton voice coil former, especially designed for full midrange performance, as well as an ideal solution for multichannel systems.

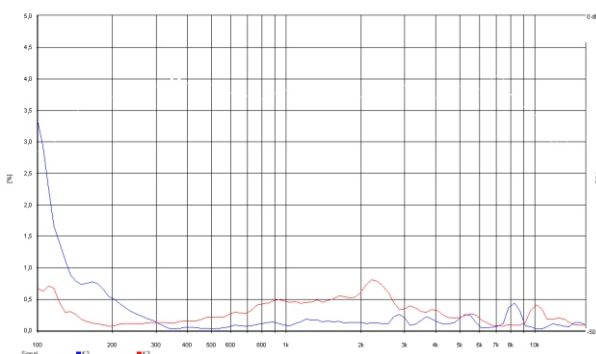
For the hexacone sandwich diaphragm a three-layer sandwich cone is used for extra rigidity and small weight. It impresses by a totally realistic sound reproduction.



The frequency responses measured free field sound pressure in 0, 15 30 degrees angle using endless baffle. Input 2,83 VRMS, microphone distance 1 m



Impedance is measured free air without baffle.



Distortion 1 Watt.

Nominal impedance	Z_n	8	
DC resistance	R_e	6.0	
Resonance frequency 1W	f_r	74	Hz
Resonance frequency TS-parameter-meas.	f_r	88	Hz
Suspension compliance	C_{MS}	0.52	mm/N
Mechanical Q	Q_{MS}	4.77	
Electrical Q	Q_{ES}	0.52	
Total Q	Q_{TS}	0.47	
Mechanical resistance	R_{MS}	0.72	kg/s
Total moving mass (including air mass)	M_{MD}	6.2	g
Effective piston area	S_D	55	cm ²
Voice coil diameter		25	mm
Voice coil former		Kapton	
Voice coil length		10	mm
Voice coil layers		2	
Voice coil inductance	L_e	0.40	mH
Flux density	B	1.15	Tesla
Force factor	$B_L \times l$	6.38	Tm
Height of the gap		6	mm
Diameter of magnet		90	mm
Height of magnet		17	mm
Weight of speaker		1.1	kg
Characteristic SPL 1 Watt / 1 m		88	dB SPL
Rated power		50	W
Equivalent air vol. of suspension	V_{AS}	2.21	dm ³

ETON reserves the right to change technical data

07/20