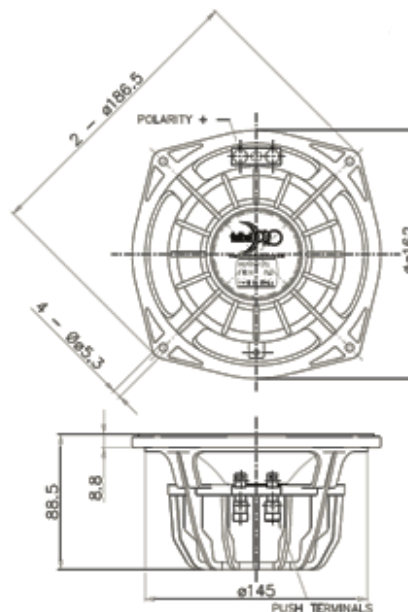




## W6N8-120 Professional Series



### NOMINAL SPECIFICATIONS

Nominal Diameter	160 mm (6 in)
Overall Diameter	186.5/162 mm (7.34/6.37 in)
Bolt Circle Diameter	172 mm (6.77 in)
Baffle Cutout Diameter	145 mm (5.7 in)
Depth	87.2 mm (3.43 in)
Flange and Gasket Thickness	7.5 mm (0.29 in)
Net Weight	1.6 Kg (3.52 lb)
Shipping Box (Single Carton Box)	195x195x141 mm (7.68x7.68x5.55 in)
Shipping Weight	1.8 Kg (3.96 lb)

### ELECTRICAL SPECIFICATION

Minimum Impedance	6.6 Ohm
Nominal Impedance	8 Ohm
Nominal Power Handling *	120 W
Maximum Power Handling **	240 W
Sensitivity (1W/1m)	95 dB
Frequency Range	100÷10000 Hz
Voice Coil Diameter	37 mm (1.5 in)
Winding Material	Al
Former Material	Kapton
Winding Depth	12 mm (0.47 in)
Magnetic Gap Depth	6 mm (0.24 in)
Flux Density	1.4 T

### NOTES

(\*) 2 Hours Test According to AES 2-1984 Rev. 2003

(\*\*) Maximum power is defined as 3dB greater than nominal power.

(\*\*\*)  $X_{max} = [(winding\ depth - magnetic\ gap\ depth) / 2] + (magnetic\ gap\ depth / 3)$

(\*\*\*\*) Maximum excursion before permanent damage

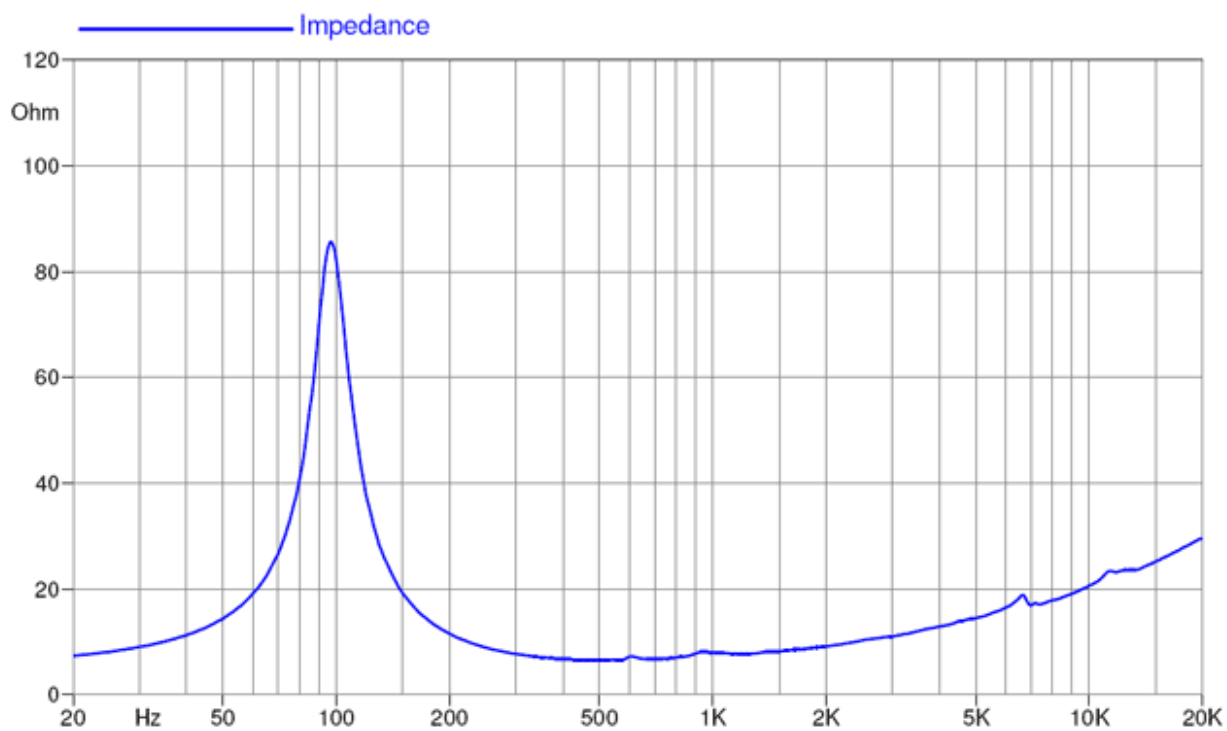
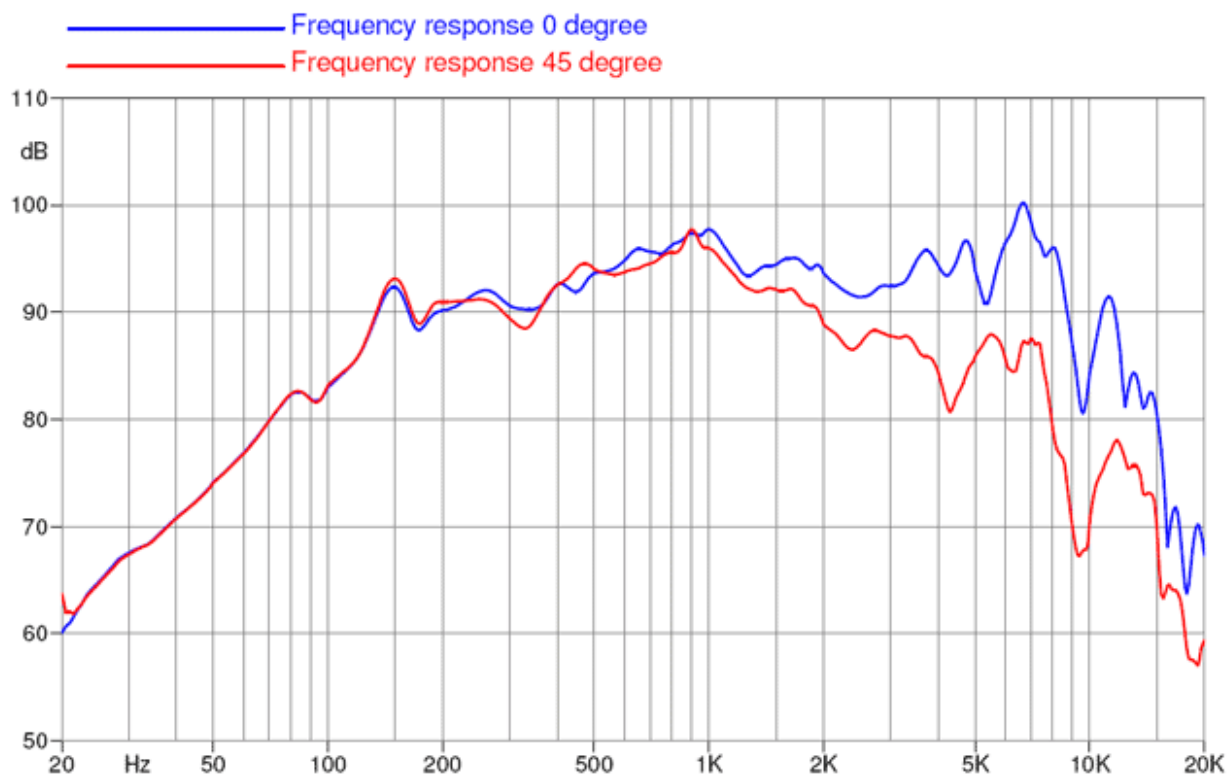
### THIELE & SMALL PARAMETERS

Fs	100 Hz
Re	5.8 Ohm
Bl	10.3 N/A
Mms	11.7 g
Cms	0.27 mm/N
Rms	1.03 Kg/s
Qes	0.36
Qms	6.36
Qts	0.34
Vas	5.04 dm <sup>3</sup> (0.178 ft <sup>3</sup> )
Sd	114 cm <sup>2</sup> (17.67 in <sup>2</sup> )
Xmax ***	5 mm
Xdamage ****	11.6 mm
Le	0.35 mH
Mmd	11 g
Eta Zero	0.93 %

### ORDERING CODES

Push Terminals - 8 Ohm Version	01603892
Faston Terminals - 8 Ohm Version	01603891

CURVES



©Copyright 2007 - Faital S.p.A. Fabbrica Italiana Altoparlanti - All right reserved.